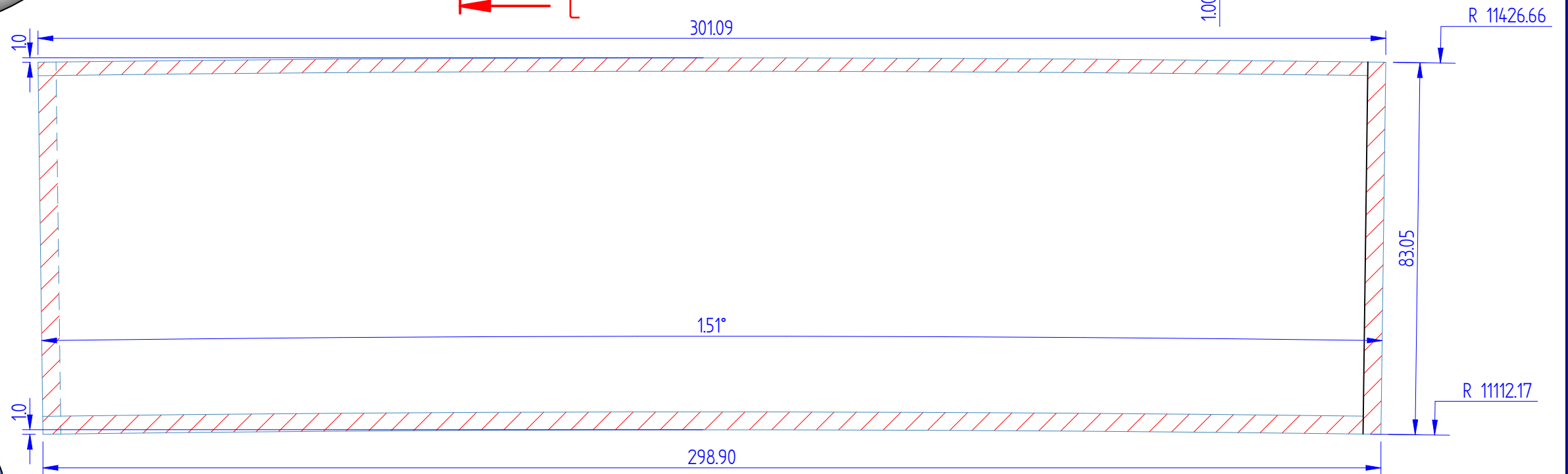
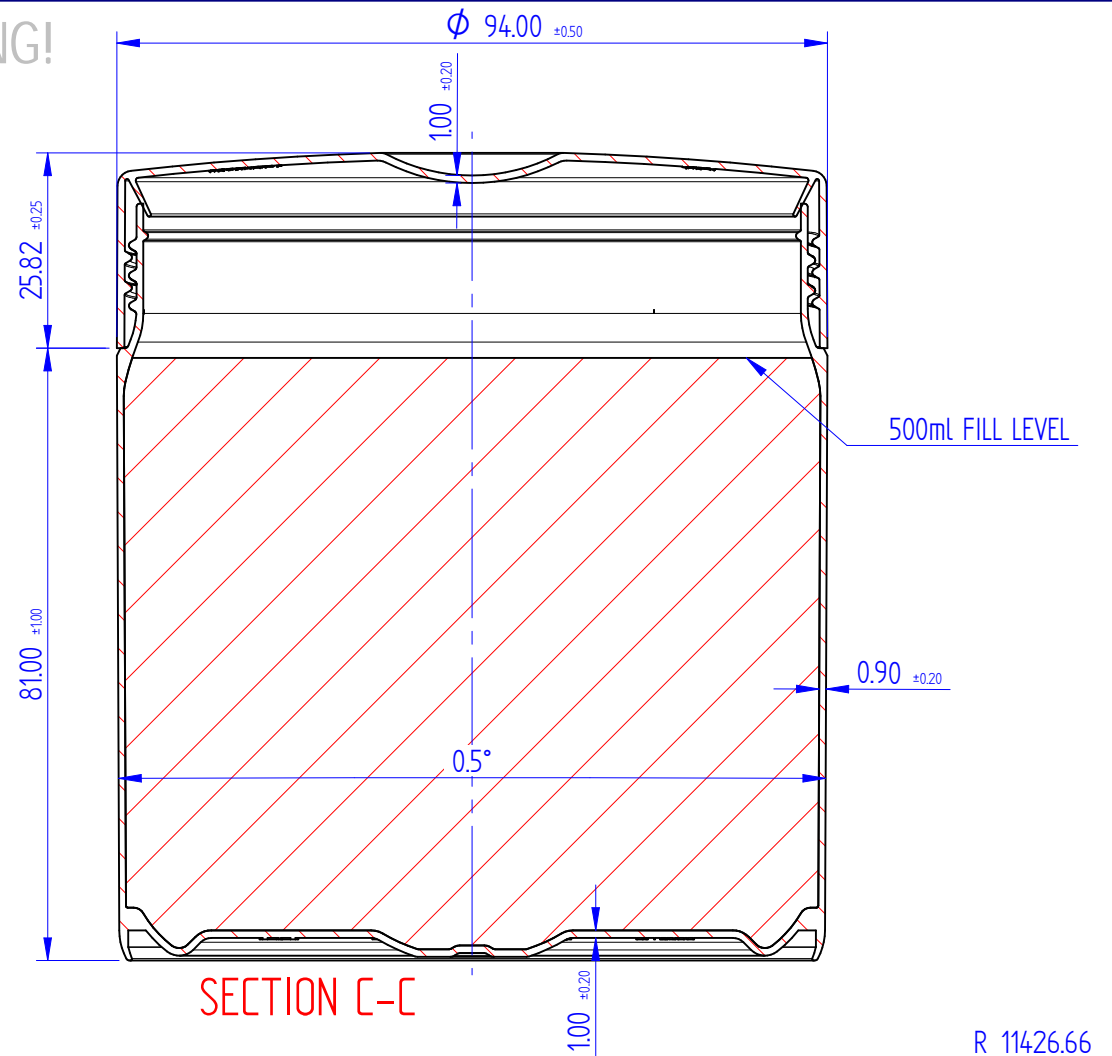



DO NOT SCALE PRODUCT DRAWING!



REV	SIZE	WAS	DATE	NAME	REASON
D	RIBS ADDED		27/01/23	SK	AS PER MOULD
C	OVERLAP 4mm	0.5	09/06/21	SK	AS PER MOULD
B	WALL THK AND BASE		25/11/20	TvZ	AS PER MOULD

TOLERANCES UNLESS OTHERWISE SPEC:		DRAWN	User	25 May 2023	 TEQAL (Pty) Ltd. 10/11 TradeHouse 2, Maimkhulu Drive, Dube TradePort La Mercy, 4409, South Africa Tel: +27 (0)32 815 3380 www.teqal.co.za
MOULDING-AS PER DIN 16901		CHECKED	Dean	Link?:	
MOULDING RELATED DIMENSIONS AS PER		APPROVED			
ISO STANDARD TOLERANCE GRADE IT7.		MATERIAL / TREATMENT:			TITLE: 500ml -IML-JAR
ALL OTHER DIMENSIONS AS PER		Polypropylene, (PP)			CLIENT: TEQAL
STANDARD TOLERANCE GRADE IT14.		PRODUCT WEIGHT: 46 Grams			SIZE: DRAWING NO: TQL-1001-020-0078
		UNLESS OTHERWISE SPECIFIED DIMENSIONS ARE IN MILLIMETERS, ANGLES ±0.1°, 1 PL ±0.1, 2 PL ±0.02, 3 PL ±0.005			SHEET: Sheet1
					SCALE: PAGE: 1 OF 4 Rev: D