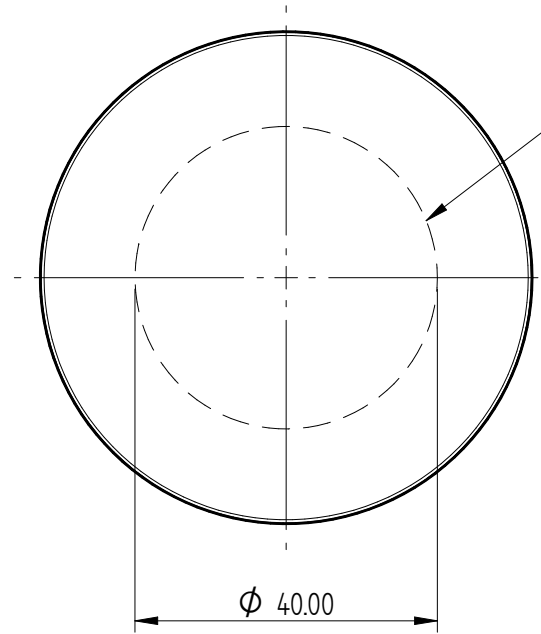
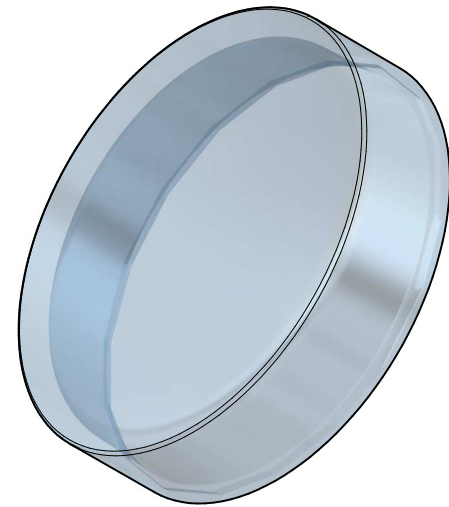
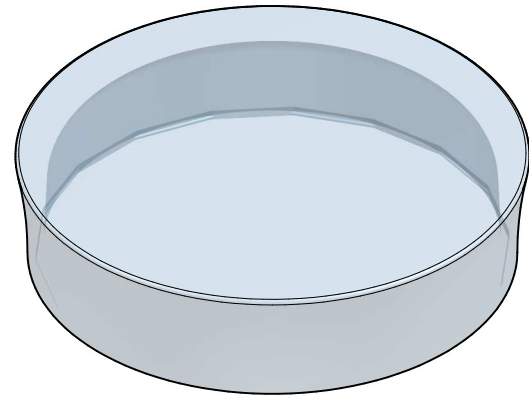
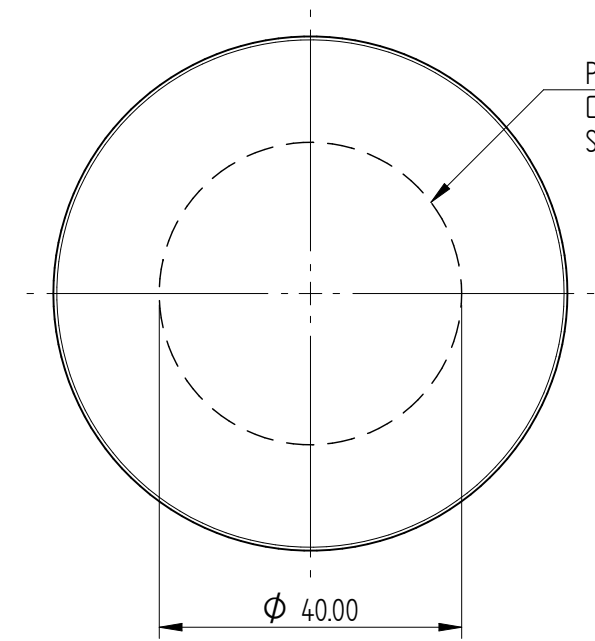


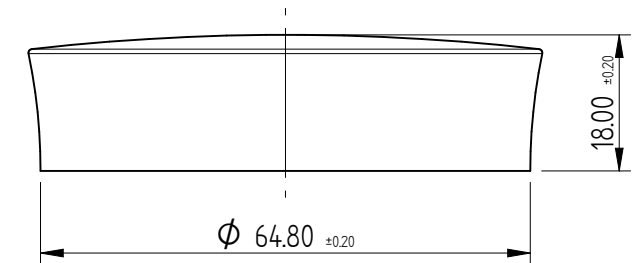
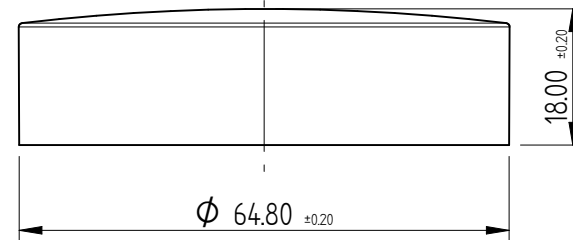
DO NOT SCALE
PRODUCT DRAWING!



PRINT MAP
CONVEX SHAPE
STICK ON NOT SUITABLE



PRINT MAP
CONVEX SHAPE
STICK ON NOT SUITABLE




SIZE	WAS	DATE	NAME	REASON

TOLERANCES UNLESS OTHERWISE SPEC:

 MOULDING-AS PER DIN 16901
 MOULDING RELATED DIMENSIONS AS PER
 ISO STANDARD TOLERANCE GRADE IT7.
 ALL OTHER DIMENSIONS AS PER
 STANDARD TOLERANCE GRADE IT14.

DRAWN	User	22/05/19
CHECKED	DEAN	25 Jul 2019
APPROVED		
MATERIAL / TREATMENT :		
SAN		
PRODUCT WEIGHT : Link?R -1 +/- 0,5g		
UNLESS OTHERWISE SPECIFIED DIMENSIONS ARE IN MILLIMETERS, ANGLES ±0.1°, 1 PL ±0.1, 2 PL ±0.02, 3 PL ±0.005		



TEQAL (Pty) Ltd.
10/11 TradeHouse 2, Mainkhulu Drive, Dube
TradePort, La Mercy, 4409, South Africa
Tel: +27 (0)32 815 3380
www.teqal.co.za

TITLE: LID PRINT MAP	
CLIENT: TEQAL	
SIZE: A3	DRAWING NO: TQL-TQL-1020-0024
SHEET: Sheet2	
SCALE:	PAGE: 1 OF 1
	Rev: A